

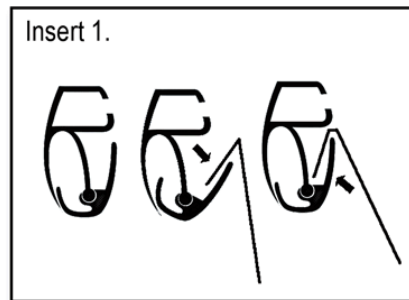
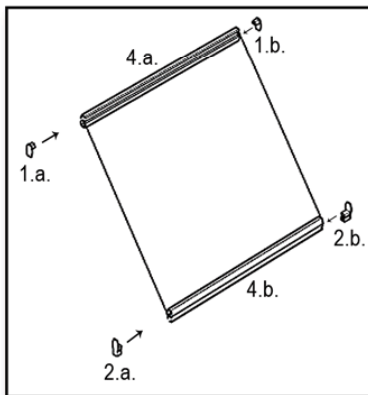
ZL5

BANNER STANDS

Instructions:

Step 1: Remove the Top End caps (1.a. and 1.b.) and the Bottom End caps (2.a. and 2.b.), from the Banner Clip frame's (4.a.' and '4.b.).

Step 2: Review 'Insert 1.' The Banner Clip frame's (4.a. and 4.b.) can be unlocked by using a quarter or flathead screwdriver to pop the hinges open. The graphics are then slid into the Banner Clip frames (4.a. and 4.b.), and the Banner Clip frames (4.a. and 4.b.) are locked into place by pressing the loosened hinge inward, make sure the entire length of profile is tightened evenly. Replace all the End Caps (1a., 1.b., 2.a., and 2.b.).

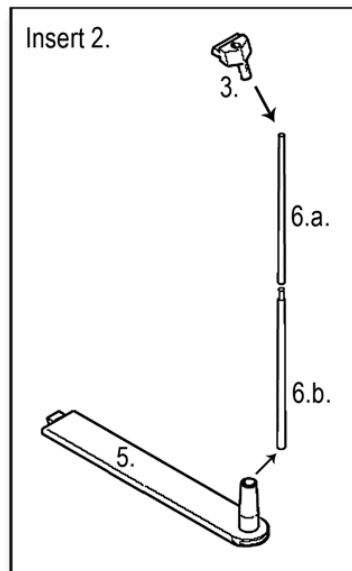
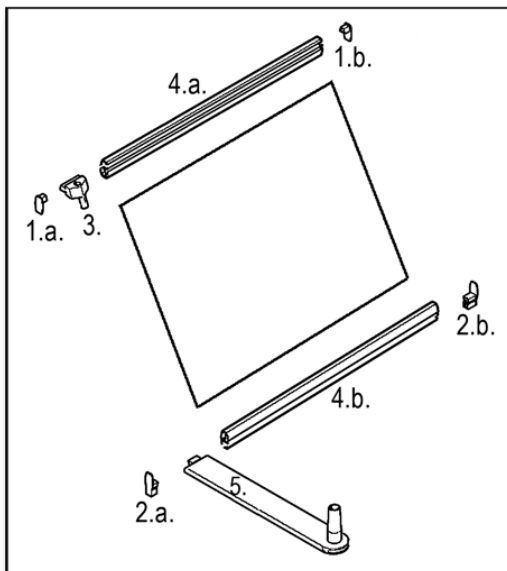


Step 1: Slide Aluminum Foot '5' into Bottom Banner Clip frame '4.b.' until it is centered.

Step 2: Slide Plastic Pole Connector '3' into the Top Banner Clip frame '4.a.' until it is centered.

Step 3: Review 'Insert 1.' Connect the two Part Pole '6.a. and 6.b.' into Aluminum Foot '5' at the bottom and Plastic Pole Connector '3' at the top of Top Banner Clip frame '4.a.'

Step 4: Insert Top End caps (1.a. and 1.b.) into the Top Banner Clip frame '4.a.' and the Bottom End caps (2.a. and 2.b.) into the Bottom Banner Clip frame '4.b.'



Ph: 1-800-654-8405 Fax: 1-888-405-4548
sales.service@fellers.com